

# The Bar Maid System....

## the Ultimate Method for Cleaning and Sanitizing Glassware.

Efficient • Economical • Professional • Profitable

### 1st Sink - Wash

With Glass Washer in 1st sink, use warm water and one ounce of Bar Maid LoSUDS Liquid Detergent to top of lowest brushes. Turn machine on and wash each glass on the center brush. Center brush cleans inside, outside brushes scrub outside removing all lipstick and fruit pulp.

### 2nd Sink - Rinse

Use clean rinse water and change often. Rinse glassware thoroughly.

### 3rd Sink - Sanitize

Use sink filled with clean water and Bar Maid Sani-Maid Quaternary Tablets (1 per gallon, usually 3 per sink). Water temperature should be 65 – 75 degrees F, 18 – 24 degrees C). Other quaternary or chlorine based sanitizers may be used. Follow manufacturer's instructions carefully. NOTE: Change Sanitizer solution at least every four hours and test using the appropriate Bar Maid Sanitizer Test Kits.

### AIR DRY

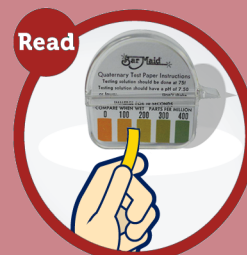
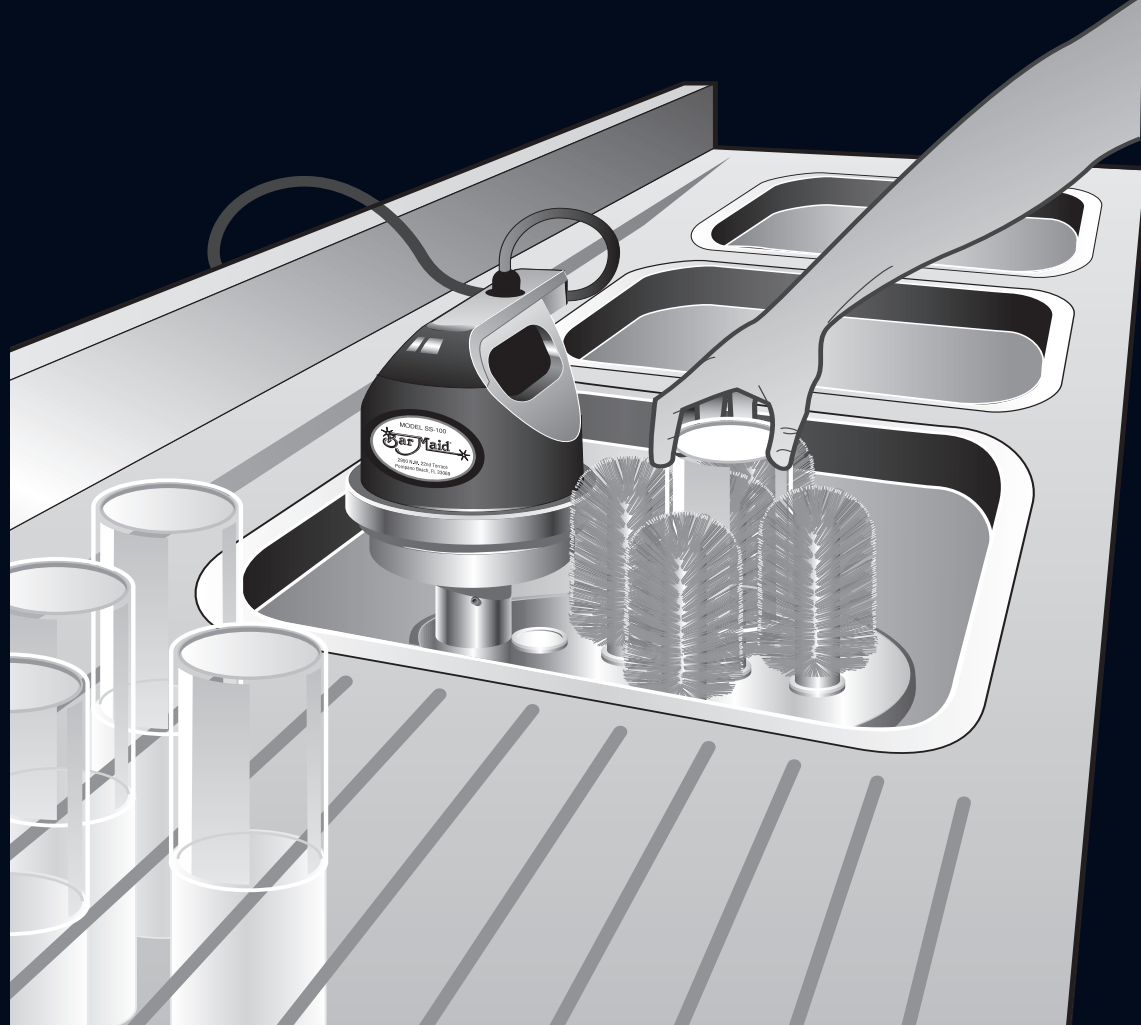
Let sanitized glassware dry on clean drain board (do not towel dry). ☞



2950 N.W. 22nd Terrace • Pompano Beach, FL 33069-1045

Tel: (954) 960-1468 • Fax: (954) 960-1647

email: [info@barmaidwashers.com](mailto:info@barmaidwashers.com)



### How to Use Bar Maid Sanitizer Test Kits to Check Sanitizer Concentration

*Check the sanitizer manufacturer's instructions for concentration requirements. These may vary depending on the type of sanitizer and what you are using it for.*

#### CHLORINE SANITIZERS

- Tear off a strip of test paper and dip it into room temperature (65°–75°F, 18°–24°C) sanitizing solution. The color of the strip should change right away.
- Remove the test paper strip and lightly dry it right away with a paper towel.
- Compare the color of the strip with the kit's color chart, which shows chlorine concentrations of 10-50-100-200 ppm (Item# DIS-302)).

#### QUATERNARY AMMONIUM SANITIZERS

- Tear off a strip of test paper and dip it into room temperature (65°–75°F, 18°–24°C) sanitizing solution for 10 seconds.
- Remove the test paper strip and compare the color of the strip with the kit's color chart, which shows concentrations of 0-100-200-300-400 ppm (Item# DIS-202).